

Flygt 2201.690

DEWATERING PUMP

50 Hz

Tough pumps for dewatering

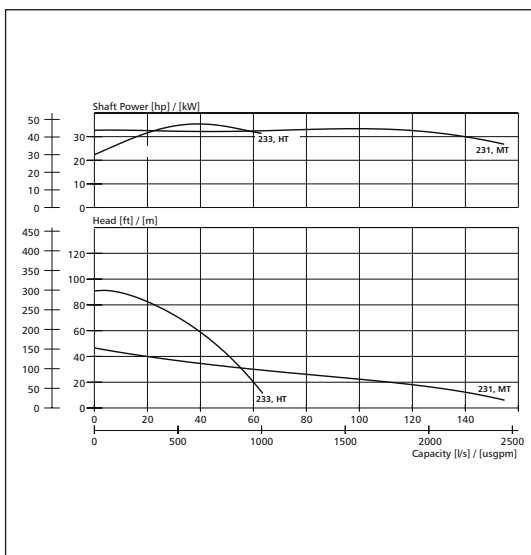
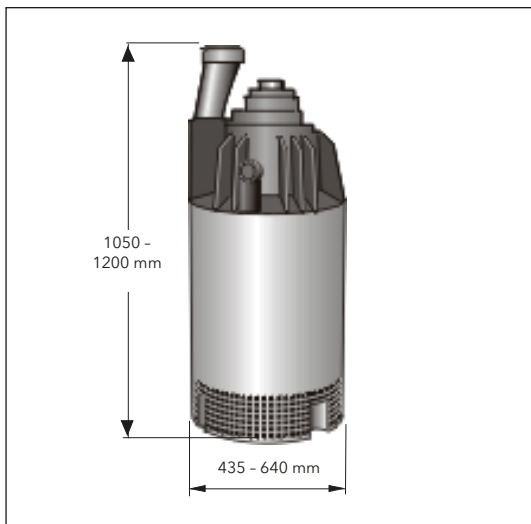
The Flygt dewatering pumps from Xylem are designed for tough operating conditions. The pumps are ideal for applications in which the water or liquid contains high amounts of clay, stone chips, drilling fines etc, or to pump heavy sediment from tanks, sumps and containers.

This explosion-proof, cast iron dewatering pump is designed for heavy-duty applications in which the liquids are corrosive, abrasive or contains salt water.

Our dewatering pumps are backed by an outstanding support and world-wide presence. Operating in over 150 countries, we bring many years of experience to bear in order to keep your business moving.



FLYGT
a xylem brand



Voltage (V)	Rated current (A)	Starting current (A)
380	67	405
400	64	335
415	62	350
440	59	375
500	51	271
550	47	305
1000	26	134
1100	24	150

Product

Submersible pump for dewatering construction sites, draining water in flooded areas, handling water in mines or on oil platforms and other similar applications. The pump can handle water containing relatively abrasive solids.

Denomination

Product code	2201.690
Installation	S
Impeller characteristics	MT, HT
Discharge connection	4", 6", 8"

Process data

Liquid temperature	max +40 °C
Depth of immersion	max 20 m
The pH of the pumped liquid	pH 6 - 13
Liquid density	max 1100 kg/m ³
Strainer hole size, MT	15 mm x 45 mm,
HT	10 mm x 10 mm

Motor data

Squirrel cage 3-phase induction motor.

Frequency	50 Hz
Insulation class	F (+155° C)
Voltage variation	
- continuously running	max ± 5%
- intermittent running	max ± 10%
Voltage imbalance between phases	max 2%
No. of starts/hour	max 15

Monitoring equipment

Thermal contacts

Cable

Direct-on-line and Y/D start SUBCAB®

Material

Outer casing	Cast iron
Impeller, MT	Alloyed white iron
HT	Spring steel, Stainless steel
Wear parts	Nitrile rubber
Stator housing	Cast iron
Strainer	Galvanized steel
Shaft	Stainless steel
O-rings	Nitrile rubber

Mechanical face seals

Inner	Corrosion resistant cemented carbide
Outer	Corrosion resistant cemented carbide

Weight

Total 350 - 455 kg

Approvals

EN 50014, EN 50018, EEX de I

Options

Impeller (HT) Stainless steel

Discharge connector with coupling A

O-rings Viton

Siemens cable monitor (L-version)

Sait cable monitor (L-version)

Various cable sizes

Zinc anodes

Tandem connection

Accessories

Adapters, hose connections and other mechanical accessories. Electrical accessories such as pump controller, control panels, starters, monitoring relays, cables.

Rating	3~
Rated output	90 kW
Speed of rotation	2955 rpm